



DATA SHEET

SSF-87



Solid State Flasher With Replaceable Modules:

General Description:

The PDC model SSF-87 is a dual pack, modular, solid state flasher designed specifically to meet NEMA specifications as well as New York "Model 204" specifications. Each flasher contains two individually replaceable modules that are enclosed in a dust resistant, metal enclosure, providing mechanical protection, and excellent heatsinking for the modules. The modules are easily accessible with the use of a crew driver.

Installation:

The flasher intermates with the model 332 cabinet as well as with any NEMA loadbay. It is easily installed or removed by grasping the extruded handle. Connector pinouts are shown in FIG 1. The connector mates with a Beau S-5406-LAB or equivalent.

General Characteristics:

- Load**
 Voltage.....120 VAC
 Current (max).....15.0 Amps
 (Tungsten filament load)
- Off State**
 dv/dt.....100V per microsecond
 Line to load resistance...15k Ohms min.
 Leakage current.....less than 20 mA
- Surge Current**
 One cycle.....175 Amps RMS min.
 One second..... 40 Amps RMS min..
- Life**
 Operations.....30 million min.

Flash Rate
 50-60 cycles (flashes) per minute.

- Mechanical**
 Length..... 8.40 inches
 Width..... 1.70 inches
 Height..... 4.185 inches
 Weight..... 1.50 Lbs.

Operating Temperature -35 to +74 degrees C
Adjustments: The model SSF-86 flasher has no adjustment controls.
Guaranteed : The flasher is fully guaranteed against all failures due to manufacturing defects for two years.

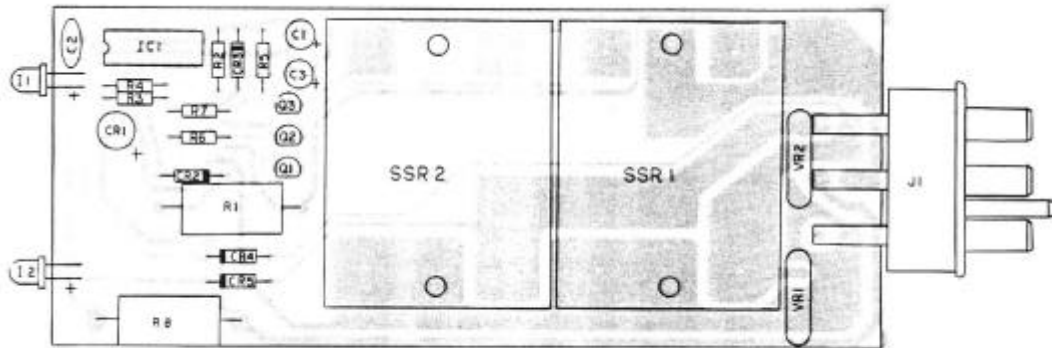
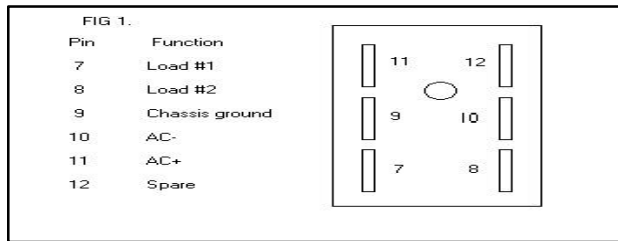


FIG. 2



DATA SHEET

SSF-87

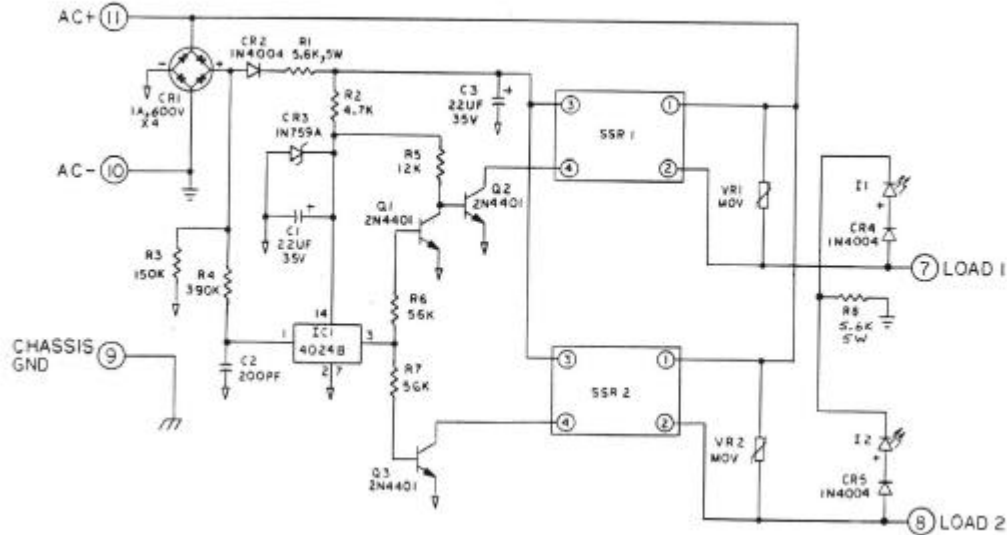


FIG. 1

Item	Qty	Description	PDC P/N	Mfg	Mfg P/N	Ref Des
1	1	Label S/N	00043	PDC	00043	
2	2	Solid State Relay, SSR-87	00144	PDC	00144	
3	1	Chassis	00204	PDC	00204	
4	1	Cover	00206	PDC	00206	
5	1	Label, Front Panel	00214-5	PDC	00214-5	
6	1	P.C. Board Fab.	00267	PDC	00267	
7	2	Cap. 22uf 35V	C0005	Sprague	503D	C1,3
8	1	Cap. 220 pf 50V	C0017	Dibar	220pf50V	C2
9	3	Diode, Power 1N4004	CR0001	Fairchild	1N4004	CR2,4,5
10	1	Diode Bridge, 1A 600V	CR0004	G.I.	WL06M	CR1
11	1	Diode, Zener 1N759A	CR0005	Fairchild	1N759A	
12	4	Screw PH BIN HD 8-32 x 3/8 BR	H0036			
13	4	Screw PH BIN HD 6-32 x 5/16	H0037			
14	4	Nut, Keps 6-32 BLK	H0038			
15	4	Screw PH Pan HD #5 x 3/8 S.T.	H0040			
16	2	Screw PH Pan HD 6-32 x 3/8	H0041			
17	1	I.C. CMOS 4024	IC0002	RCA	CD4024BE	IC1
18	1	Connector 6 Pin	J0001	Beau-Vernitron	P5406-S	J1
19	2	L.E.D. Clear Red	LD0004	G.I.	MV5020	I1,2
20	2	Res. 4.7K 1/4W	R0012	Dale		R2
21	1	Res. 12K 1/4W	R0014	Dale		R5
22	2	Res. 56K 1/4W	R0018	Dale		R6,7
23	1	Res. 150K 1/4W	R0020	Dale		R3
24	1	Res. 390K 1/4W	R0022	Dale		R4
25	2	Res. 5.6K 5W	R0048	TRW	PW5-5.6K	R1,8
26	3	Transistor 2N4401	Q0004	G.E.	2N4401	Q1,2,3
27	2	Varistor	VR0002	NEC	NV240D19	VR1,2