

**DPDT, 30 AMPS**

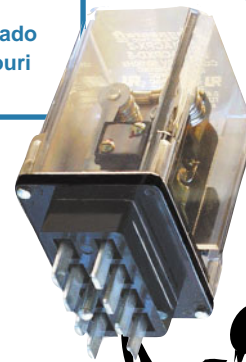
**BENEFITS**

	<b>MAGNECRAFT: W21ACPX-2</b>	<b>MIDTEX: TYPE 136</b>
<b>CURRENT RATING:</b>	30 AMPS @ 120/240 VAC, 20 AMPS @ 28 VDC	15 AMPS @ 120 VAC, 15 AMPS @ 28 VDC
<b>HORSEPOWER RATING:</b>	1-1/2 HP @ 120 VAC, 2 HP @ 240 VAC	1/4HP @ 120 VAC, NOT UL RATED
<b>TUNGSTEN LOAD RATING:</b>	2.4 KW @ 240 VAC	1 KW @ 120/240 VAC
<b>ELECTRICAL LIFE @ RATED LOAD:</b>	200,000 OPERATIONS	100,000 OPERATIONS

**UL** us **SP** 168986  
 UL Recognized  
 File No. E43641

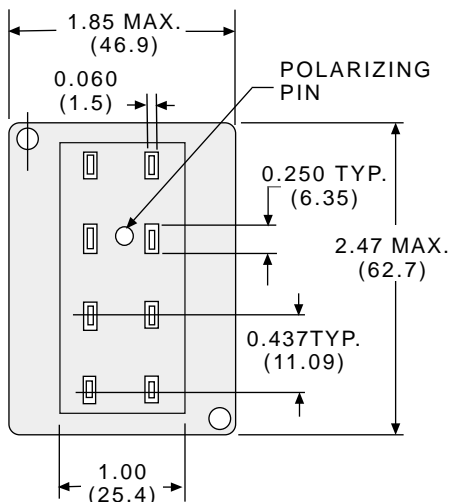
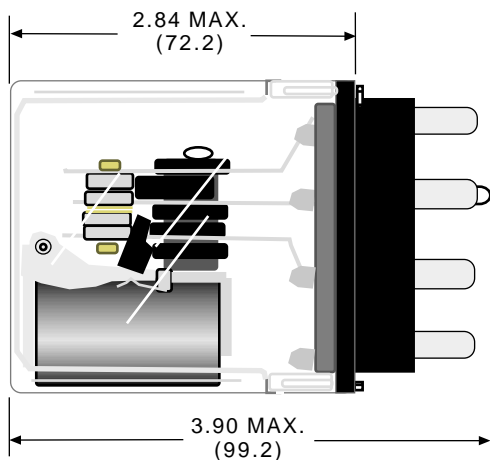
**MANUFACTURED UNDER  
 ISO 9002**

**EXCEEDS NEMA STD. TS  
 2- 1992 APPROVED BY  
 D.O.T FOR:**  
 California Minnesota  
 Georgia New York  
 Illinois Texas  
 Oregon Colorado  
 Maryland Missouri  
 North Carolina



**OUTLINE DIMENSIONS**

DIMENSIONS SHOWN IN INCHES & (MILLIMETERS).



**BENEFITS OF RECTIFIED COIL DESIGN:**

1. Chatter Free Operation in Brownout Conditions Down to 85 VAC and Will not Overheat up to 140 VAC.
2. Less Power Consumption and Less Heating.

## GENERAL SPECIFICATIONS

**COIL**  
 Pull-in Voltage: 65% of nominal voltage @ 20°C or less for AC coils  
 Dropout Voltage: 10% of nominal voltage or more  
 Coil Insulation: Class "B" system (130°C per UL standard 1446)  
 Nominal Power: 4.0 VA

**CONTACTS**  
 Contact Material: Silver alloy  
 Contact Rating: 30 amps, 120/240 VAC (resistive) 25 amps, 120/240 VAC (CSA)  
 20 amps, 28 VDC (resistive) 1-1/2Hp, 120 VAC, 2Hp, 240 VAC  
 20 amps, 120 VAC (tungsten lamp)  
 10 amps, 240 VAC (tungsten lamp)

**DIELECTRIC STRENGTH**  
 Across Open Contacts: 500 V rms  
 Contact to Coil: 1500 V rms  
 Contact to Frame: 1500 V rms

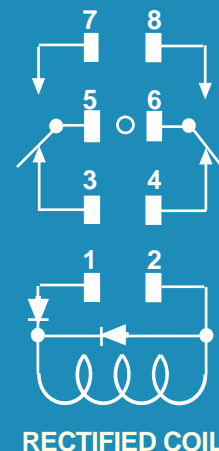
**TEMPERATURE**  
 Operating: -40°C to +84°C  
 Storage: -40°C to +105°C

**LIFE EXPECTANCY**  
 Electrical: 200,000 operations @ 20 amps tungsten, 120 VAC  
 Mechanical: 5,000,000 operations @ no load

**MISCELLANEOUS**  
 Enclosure: Clear polycarbonate  
 Operating Position: Vertical, contacts up or horizontal  
 Weight: 204.7 grams approx.

**MOUNTING:**  
 FITS STANDARD  
 8 PIN JONES PLUG

**WIRING DIAGRAM**  
 (VIEWED FROM PIN END)



**SWITCHES  
 TUNGSTEN LAMP  
 LOADS UP TO  
 20 AMPS**

**COIL MEASURED @ 25°C**

STANDARD PART NUMBER	CONTACT CONFIGURATION	NOMINAL INPUT VOLTAGE	NOMINAL POWER
<b>AC RECTIFIED - PLUG-IN, 30 AMP</b>			
W21ACPX-2	DPDT	120 VAC, 50/60Hz	4.0 VA