

# 4-SEC 12" BACKPLATE

DWTBBA504AELF

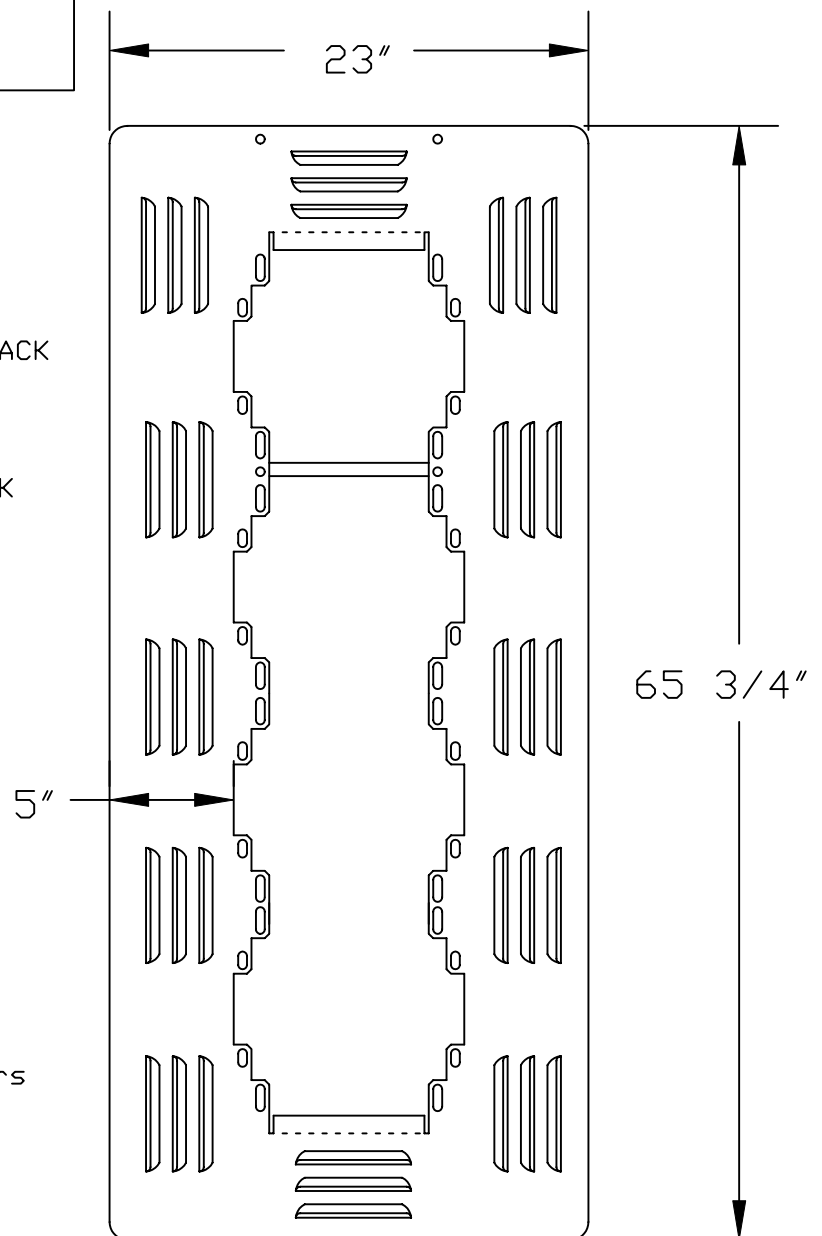
FLAT BLACK FRONT & BACK

DWTBBA504AELG

FLAT BLACK FRONT & WEST COAST GREEN BACK

DWTBBA504AELY

FLAT BLACK FRONT & FEDERAL YELLOW BACK



Designed for use with elevator plumbizers  
Remove knock-outs prior to mounting  
Install batten plate after mounting

## FUNCTION:

To outline signal heads on the horizon and reduce the effects of sun phantom

## SPECIFICATIONS:

1. Completely fabricated from 0.063" aluminum sheet alloy
2. Nominal outside dimensions of 5"
3. Powdercoated flat black, additional colors are paint over powder
4. Fabricated with knock-outs, for adapting to elevator plumbizers
5. All mounting hardware stainless steel
6. Comes with 1" batten plate
7. Fabricated with vented louvers for reduced wind loading

## OPTIONAL FEATURES:

1. Flat black anodized finish
2. Enamel paint finishes



**WESTERN TRAFFIC SYSTEMS INC.**

909 SE EVERETT MALL WAY #A120  
EVERETT, WA 98208