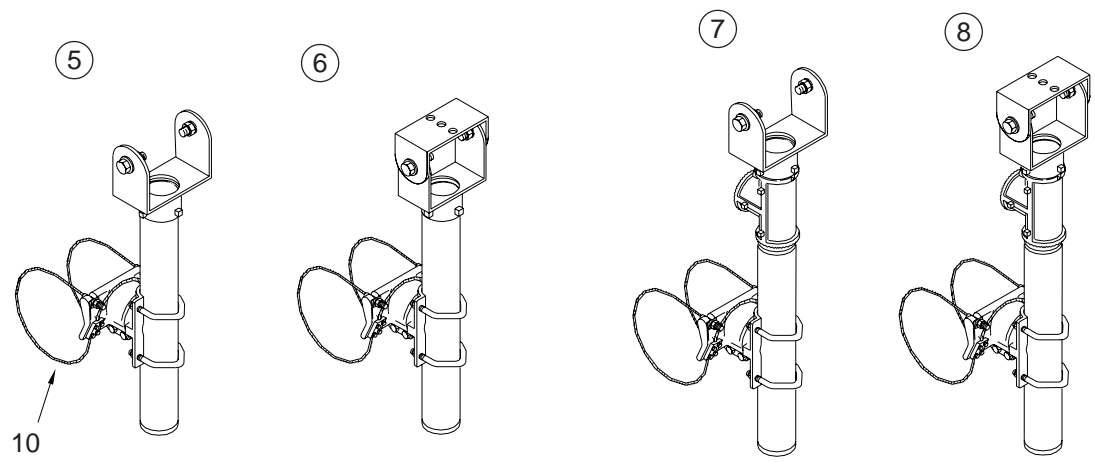


ITEM 1-4 OPTIONS	
TUBE LENGTH:	23", 37", 46", or 74"
BAND LENGTH:	29", 36", 42", 48", or 56"
STAINLESS UPGRADE	
PAINT	



ITEM 5-8 OPTIONS	
TUBE LENGTH:	23", 37", 46", or 74"
CABLE LENGTH:	62", 84", or 96"
PAINT	

ITEM	DESCRIPTION	PART NO.
VIDEO DETECTION CAMERA BRACKET		
Extended Tilt & Pan:		
①	Band Mount, 1-Piece	AB-0170
②	Band Mount, 2-Piece	AB-0172
③	Band Mount w/ Service Wire Outlet, 1-Piece	AB-0177
④	Band Mount w/ Service Wire Outlet, 2-Piece	AB-0173
⑤	Cable Mount, 1-Piece	AB-0175
⑥	Cable Mount, 2-Piece	AB-0169
⑦	Cable Mount w/ Service Wire Outlet, 1-Piece	AB-0166
⑧	Cable Mount w/ Service Wire Outlet, 2-Piece	AB-0164
ASTRO-BRAC CLAMP KIT:		
9	Band Mount	AB-3004
10	Cable Mount	AB-3009
CAMERA MOUNTING BRACKET:		
11	1-Piece, Alum.	SH-0514
12	2-Piece, Alum.	SH-0515

Notes:

1. All assemblies are supplied standard with stainless steel fasteners. Stainless steel upgrade shall include stainless screw kit where applicable.
2. 1-piece bracket for mounting Iteris, Odetics, or Econolite Solo Pro type cameras. 2-piece bracket for mounting Burle type cameras.
3. Camera mount assemblies are available with Stellar Series Clamp Kits. To order, use prefix AS with part number.
4. Please specify options when ordering.