

3430HD Series Fixed Barrel Camera

H.264 3MP 33x Zoom Surveillance System



Advanced Optics

- Superior 3MP image quality
- 33x optical, 16x digital zoom
- Image defog/dehaze analytics
- Wide dynamic range
- Backlight compensation
- Flexible exposure adjustments
- 3D noise reduction
- Image rotation adjustments

Rugged Construction

- Built-in electrical transient/surge protection to CISPR 24 levels
- IP68 ingress protection
- Wide operating temperature range
- Faceplate heater blanket

Flexible Installation and Interoperability

- ONVIF Profile S, G, and T Support
- Power over Ethernet
- H.265, H.264, and MJPEG encoding
- Three individually configurable video streams
- Web server configuration, operation and viewing
- Single Cat5e cable installation
- Wall, pole and corner mounting bracket options

CostarHD's series 3430HD fixed camera system combines crystal clear HD image quality, bandwidth efficient H.265 compression and IP68 protection delivering the CostarHD quality and performance you expect!

The 3430HD provides full 3MP imaging with 33x optical zoom, delivering full frame rate HD images over the entire zoom range for cost-effective surveillance applications.

True day/night technology using a removable IR cut filter produces exceptional low-light sensitivity down to 0.0005 fc.

The 3430HD includes advanced imaging processing capabilities such as 3D noise reduction, flexible exposure mode settings, wide dynamic range, white balance along with defog/dehaze image processing, which enhances video performance in foggy and hazy conditions

encountered in surveillance and traffic monitoring applications.

The 3430HD delivers up to three video streams with configurable settings, including H.265, H.264, or MJPEG codec, image resolution, frame rate, bit rate and mode (CBR or VBR).

The 3430HD provides a full-function web server interface, allowing complete administrative and operator control capabilities. Administrative features include configuring network settings, user password assignments, setting video streaming properties, configuring camera imaging properties, assigning camera ID labels and much more.

The 3430HD is designed to operate in harsh environments with an IP68 purged and pressurized enclosure system. This eliminates the effects of water intrusion, pollutants and corrosives.

CostarHD delivers years of clean, reliable images and backs it with a world class three-year warranty.



[youtube.com/CostarHD](https://www.youtube.com/CostarHD)
[linkedin.com/company/CostarHD](https://www.linkedin.com/company/CostarHD)
twitter.com/CostarHD
[facebook.com/CostarHD](https://www.facebook.com/CostarHD)
CostarHD.com

©CostarHD™, LLC reserves the right to change specifications without notice

(858) 391-1800

COSTAR HD

3430HD Series Fixed Barrel Camera

H.264 3MP 33x Zoom Surveillance System

COSTAR HD

CAMERA

Sensor	1/2.8" CMOS
Scanning	Progressive
Resolution	2304 x 1296
Frame Rate	60 fps
Camera Format	Day/Night (IR Cut Filter)
Day/Night Modes	Auto, Color, B/W
Day/Night Sens.	High, Med., Low, Ultra Low
S/N Ratio	>50 db

SENSITIVITY - SCENE @ F1.6, AGC ON

Color, Max Sens	0.001 lux F1.5, 50IRE
B/W, Max Sens	0.0005 lux F1.5, 50IRE

OPTICS

Zoom Lens	33x, 4.5 mm to 148 mm
Digital Zoom	16x
Aperture	f/1.5 ~ f/4.0
HAFOV	62.9° ~ 6.7°
Focus	Auto/Manual (Near, Far)
Focus Scene	Normal, long distance
Iris	Automatic

IMAGE PROCESSING

Defog Mode	Off/On (level adjustment)
Dynamic Range	120 dB Off/On (level setting)
Back Light Comp Shutter (AES)	Off/On (level setting) Auto/Manual (1/6 ~ 1/100,000s)
Slow Shutter	Off/On (1/15 ~ 1/6) with limit
WB Modes	Auto, fine tune, sodium
AGC	1 ~ 36 dB, Adjustable
Noise Reduction	3D
Image Orientation	90° clockwise and counter-clockwise, 180°, Mirror/Flip

IP STREAM

Video Streams	Three, independently configurable
Video Codec	H.265, H.264, MJPEG
Video Protocols	RTSP/RTP/UDP RTSP Multicast
Video Resolution	3MP, 1080p, 720p, D1, 2CIF, CIF
Video Frame Rate	Up to 60 per second
Video Data Rate	128 Kbps to 16 Mbps
Video Rate Cntrl	Variable or Constant Bit
I Frame Interval	5 ~ 250

NETWORK INTERFACE

Network Format	802.3u 100Base-T, MDI-X auto-sensing, full duplex
IP Addressing	Static or DHCP
Network Protocol	TCP, UDP, IPv4, IGMP, ICMP, DNS, DHCP, RTP, RTSP, NTP, HTTP, HTTPS, ARP, FTP Telnet
Media Players	VLC, Quick Time or any media player compliant with RFC 2326, 3984, 3550, 2435, ISO/IEC 13818-1
ONVIF	Profile S, G, and T
Camera Protocols	RTSP Authentication
Security	RTSP Authentication
User Types	Administrator, Common user
Maintenance	File upload over network using camera web server interface, Reboot

ON SCREEN DISPLAY (OSD)

OSD Capacity	Up to 4 OSD Elements can be selected for display on video
OSD Elements	Camera Title, Date/Time, Zoom, Picture ID
OSD Characters	ASCII set, Up to 35 characters per element
OSD Size	Small, Medium or Large
OSD Color	White
Position	Left, Right, or Custom (Each element is positioned using x, y coordinates)

PRIVACY MASKS

Capacity	Up to 4 Rectangular Masks
Color	Black

ELECTRICAL

Input Voltage	PoE Power
Power	15 watts max. 5 to10 watts with heater OFF
Transient/Surge	CISPR 24
Connector	18 pin MS Type

MECHANICAL

Weight	4.5 lbs (2.04 kg)
Dimensions	Refer to diagram below
Construction	Powder coated aluminum
Sunshield	Included as standard
Mounting	Holes Two 1/4-20 UNC, 2.45" apart
Faceplate	Glass

ENVIRONMENTAL

Protection Rating	IP68, Purged + Pressurized at factory.
Salt Fog	MIL-STD-810G, Method 509.4 Procedure I 0 to 100%
Humidity	0 to 100%
Heater	Faceplate heater blanket, 5 Watts
Operating Temp	-40°F to 149°F (-40°C to 65°C) continuously, and up to 165F (74°C) for 24 hours. Complies with Nema TS 2 para. 2.2.7.5
Wind Survivability	Up to 150 mph - 120 mph for 45 minutes - 150 mph for 15 minutes

CERTIFICATIONS

FCC Class A, CE, RoHS

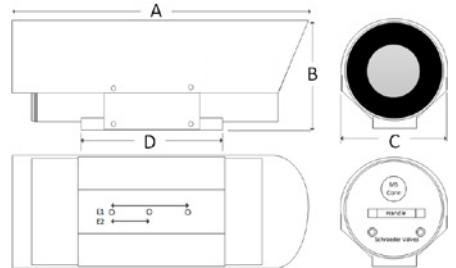
ACCESSORIES

Mounts	
Wall	7412011-002
Pole Mount	8189-0
Power Supplies	
PoE Hi-Temp	7412007-003

ORDERING MODEL NUMBERS

3432-4000	IP68 3MP 33x camera with 16x digital zoom, PoE power
-----------	--

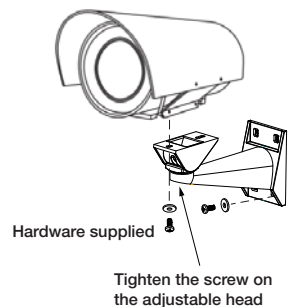
CAMERA DIMENSIONS



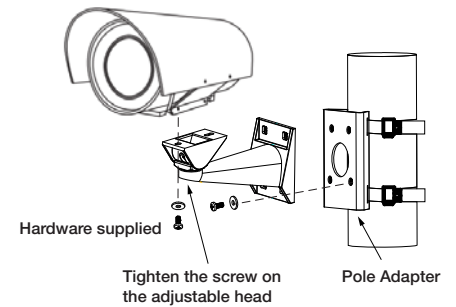
Measurement Key

A =	12.5"	[317.5mm]
B =	5.25"	[133.35mm]
C =	5.5"	[139.7mm]
D =	5.0"	[127mm]
E1 =	2.5"	[63.5mm]
E2 =	1.38"	[35mm]

WALL MOUNT INSTALLATION



POLE MOUNT INSTALLATION



About CostarHD™

CostarHD is a leading manufacturer of high-definition video systems designed to satisfy the demanding performance requirements for critical infrastructure applications. CostarHD solutions integrate the latest high-definition video imaging and compression technologies into ruggedized camera products for monitoring in critical, sensitive environments.