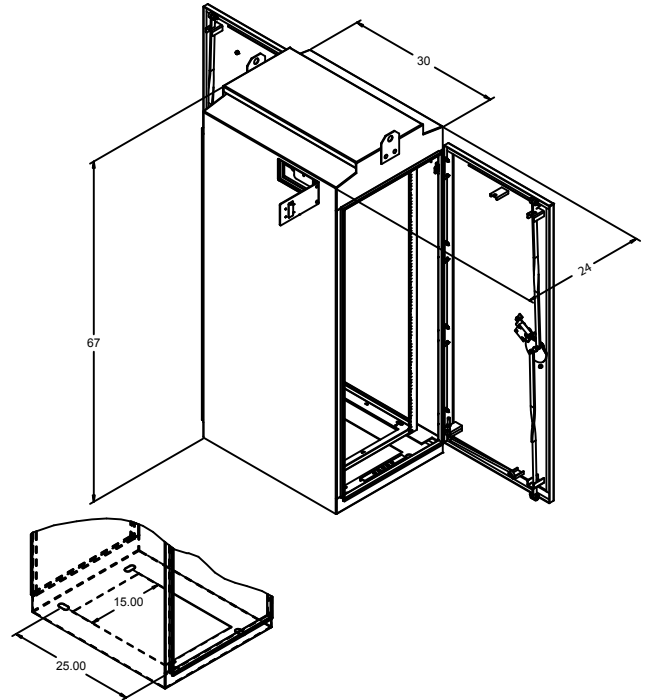




## Standard Features

- Dual sets of pluggable output terminal blocks for field signals, with many other options for field terminations available.
- Built in field output surge suppressor sockets for agencies that use field suppressors.
- High visibility flash pattern jumpers with large text identifying selected flash pattern for each output channel.
- Configurable input racks available in 24 channels or 48 channels using half width detection devices
- Configurable output racks available in 16 channel configuration with 32 channel CMU and integrated HDFU slot, optional for remote HDFU mounting. Expandable up to 2 output racks with 32 channels.
- Integrated PDA with dual, pluggable power supplies with selectable load balancing, easily replaced with minimal impact on Traffic Signal operation during fault.
- Integrated LED cabinet lighting
- ATCx electrical architecture designed with reduction or elimination of redundant, multiple electrical connections, thereby increasing system reliability
- All field wiring (indications, detection and pedestrian) is accessible from the front of the cabinet
- Designed so that the entire back of 19" rack is open for future or other uses (UPS with batteries, ITS equipment, fiber hub, etc)



## Optional ATC Plus series features:

- UPS assembly integrated into the cabinet.
- CMU auxiliary display unit
- 32 channel output
- 48 inputs in single rack (half width devices)
- 48VDC operation